



## **FULLY INSULATED HOUSE SERVICE CUT-OUTS**



### SAFETY & SECURITY:

- 1) Totally Insulated service Cut-Outs are of non-Hygroscopic Phenolic mouldings possessing high Thermal Stability and good mechanical strength.
- 2) With the Carrier withdrawn incoming & outgoing terminals are shrouded by safety shields.
- 3) Neutral cover of the Cut-Out base is removable only after withdrawal of fuse carrier.
- 4) Sealing facility available

### CUT-OUT FUSE CARRIER:

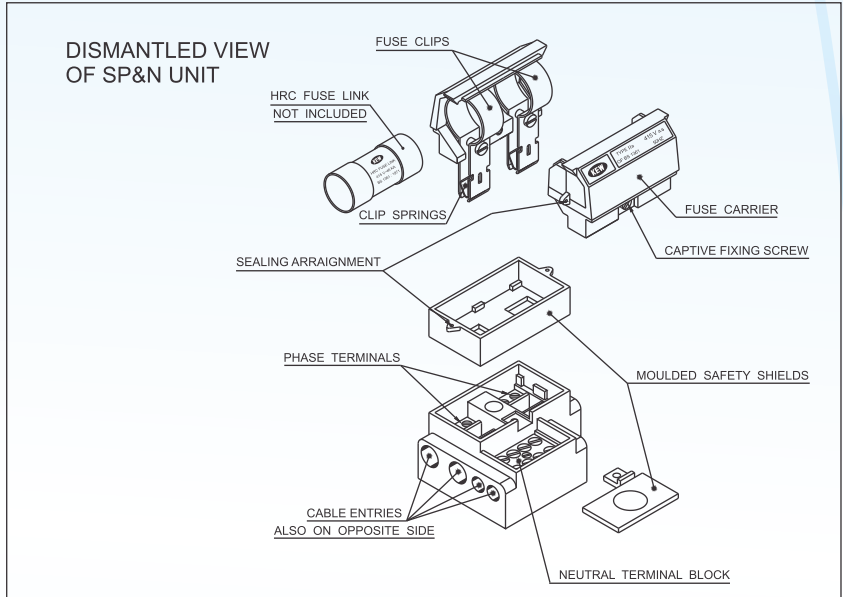
- 1) Fuse grip at top of the carrier permit easy withdrawal.
- 2) Fuse fitting is quick & simple.
- 3) Carrier are clearly & permanently marked.
- 4) Carrier contacts are manufactured from E.T.P. Grade. copper.
- 5) A high pressure integral phosphor bronze clip spring in the contact assembly ensures a permanent and consistent fuse to terminal contact pressure.

### CUT-OUT BASE:

- 1) Cut -Out base moulding is manufactured in one piece, it has got two separate compartments for phase & neutral termination.
- 2) Cut-Out base is suitable for two screw fixing. One of the fixing screw is accessible only after removing the seal of the cutout.
- 3) Top & Bottom cable entry tunnels are conical in Shape to provide a close fit the cable insulation.
- 4) Cable entry tunnels are provided with "knock-out" diaphragms which can be removed by pressure using a screw driver.

### TERMINALS

- 1) Phase & Neutral Terminals are made from brass with an electro tinned finish.
- 2) Each terminal is provided with two brass pinching screws for effectively clamping the conductors.
- 3) Terminals and cable pinching screws are made form Brass with an electro-tinned finish.
- 4) Phase terminals have a build in self aligning feature to ensure efficient contact with the fuse carrier clips.



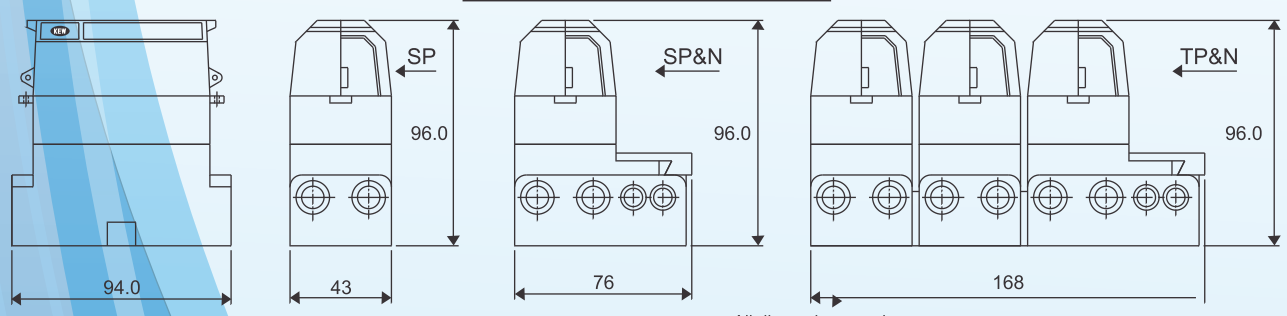
### TECHNICAL DATA

**Rated Current** : 30A  
60A  
80A  
& 100A

**Rated Voltage** : 415 V

| Rating (Amp) ➔                                   | 30A       |         |         | 60A          |         |         | 80A          |         |         | 100A         |         |         |
|--|-----------|---------|---------|--------------|---------|---------|--------------|---------|---------|--------------|---------|---------|
| Unit Type  | SP&N      | TP&N    |         | SP           | SP&N    | TP&N    | SP           | SP&N    | TP&N    | SP           | SP&N    | TP&N    |
| List Nos.  | 130 HSL   | 230 HSL | 330 HSL | 160 HSL      | 260 HSL | 360 HSL | 180 HSL      | 280 HSL | 380 HSL | 110 HSL      | 210 HSL | 310 HSL |
| Phase & Neutral Terminal Bore DIA (mm)           | 8.0 & 7.0 |         |         | BOTH 8.0 DIA |         |         | BOTH 8.0 DIA |         |         | BOTH 9.5 DIA |         |         |
| Max. Cable Size (Single Core) (mm <sup>2</sup> ) | 16        |         |         | 25           |         |         | 25           |         |         | 35           |         |         |
| Suitable Fuse-Link to BS 1361 : 1971             |           |         |         |              |         |         |              |         |         |              |         |         |

### OVERALL DIMENSIONS



All dimensions are in mm  
Tolerance : ± 1.0 mm

