

Superfuse
High quality DIN Type HRC fuse links



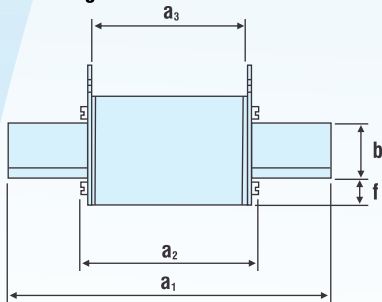
TYPE	KD KDFH
-------------	--------------------

INDUSTRIAL AND GENERAL PURPOSE HRC FUSE LINK

Superfuse high rupturing capacity fuse links type KD are continental design with Blade type contacts. They are the latest prestigious addition to our **Superfuse** range.

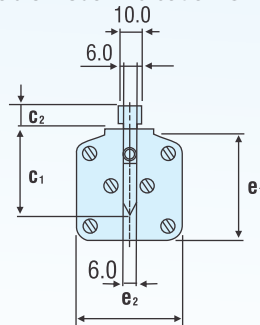
Type KD HRC fuselinks offer **protection to Cables, Switchgear, Controlgears** and other apparatus from electromagnetic & thermal stresses which arise under Short-Circuit conditions. By using appropriate KD type fuselinks high short circuit currents cannot rise to the full peak value owing to the **very short clearing time**. Unfavourable effects of the short circuit on the Switchgear are thus prevented.

The fuselinks are provided with spring actuated red indicating pin which gives **positive indication of the blowing of fuselinks**.



SALIENT FEATURES:

- Range offered **6A to 630 A** in 4 body sizes with **breaking capacity of > 80 KA at 415 Volts**.
- KD Range complies to performance & dimensional requirement of IS-IS/IEC60269-1
- **Very low Power loss** in KD range of fuses **ensures cool running**.
- KD range provides consistency in performance as per predetermined I^2t & cut off current.
- Extremely low let through I^2t & cut off current during short Circuits.
- Reliable visual indication Of fuse Operation.



Current Rating (in AMPS)	List Reference	IS:/IEC Reference	Dimensions (mm)								
			a ₁	a ₂	a ₃	b	c ₁	c ₂	e ₁	e ₂	f
6,10,16,20,25,32,50,63,80 & 100A.	KD00	00	79.5	50	45	15	35	9.5	42.5	30	5
125 & 160A.	KD00	00	79.5	50	45	15	35	9.5	42.5	30	14
32,50,63,80, 100, 125, 160, 200 & 250A.	KD1	1	135	70	61	24.5	40	10	47	46	11
200, 250, 315, 355 & 400A.	KD2	2	151	72	63	30	48	10	61	58.5	13
425, 500, 630.	KD3	3	152	72	63	40	61	10	73	73	14

FUSE BASES



- Fuse bases are available in four sizes, corresponding to the four size of fuse links
- Insulated DMC fuse bases for high impact strength & anti tracking properties.
- The design of the silver plated fuse link blades & lyre contacts for better conductivity & low temperature rise.
- "Special Spring Steel" springs for better grip & uniform contact pressure.
- The lyre shaped contacts & connection terminals from one punched piece.

LIST Nos.	RATING AMPS	A	B	h	n2	P1	P2	W1	W2	X	Y	BOLT SIZE	ASSOCIATED KEW FUSE LINK CODE
KDFH 125	125	122	19.5	101	32	58	20	∅	25	∅7	∅7	M6x15	KD00 (6 to 160 A)
KDFH 250	250	230	30	200	53	74	32	30	25	∅14	11	M10x36	KD1 (32 to 250 A)
KDFH 400	400	230	35	202	53	90	32	30	25	∅14	11	M10x36	KD2 (200 to 400 A)
KDFH 630	630	258	40	221	53	100	32	30	25	∅14	11	M10x36	KD3 (425 to 630 A)

